

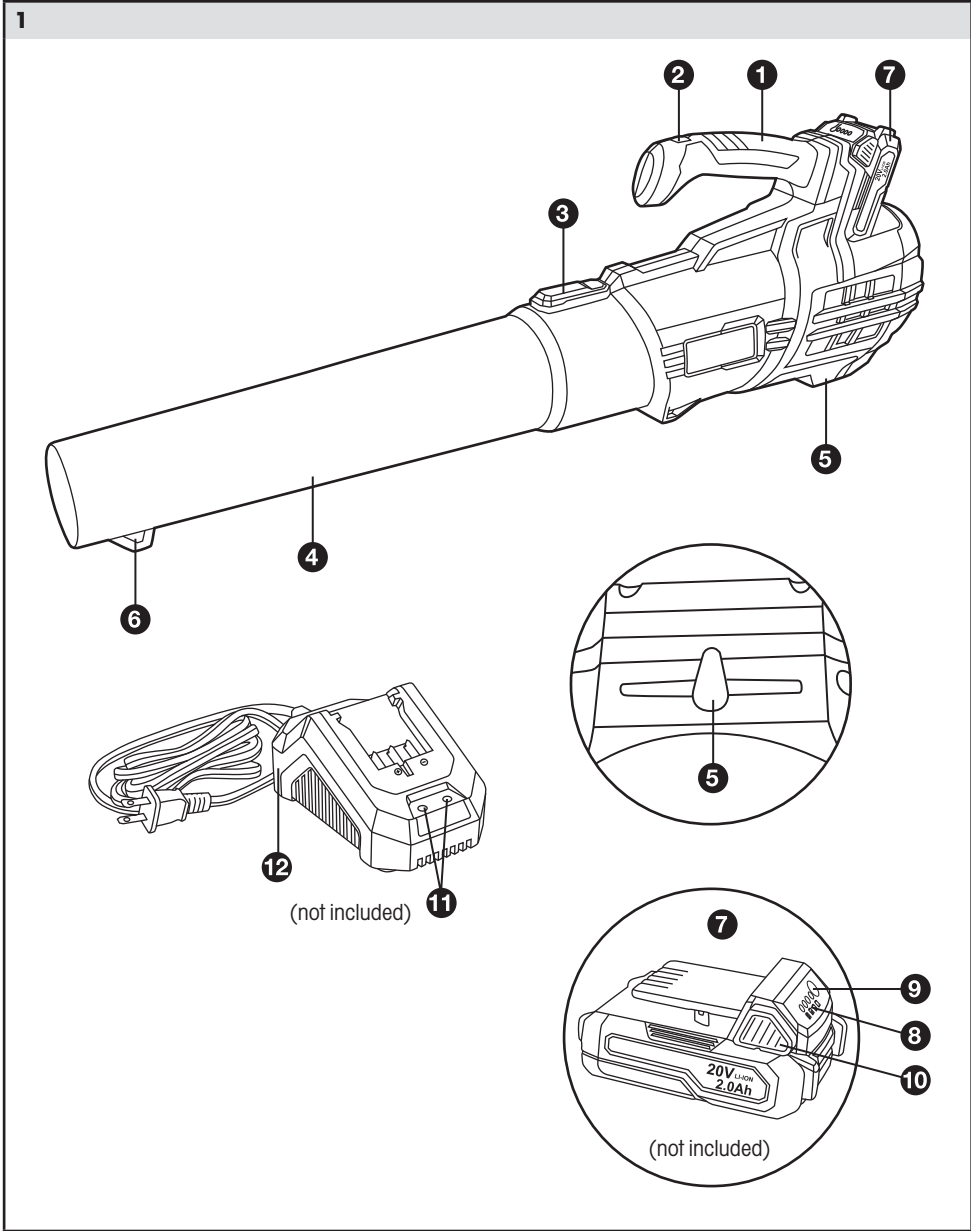


FIELDMANN®
Home & Garden Performance

20V L-I-ON
FASTPOWER



FZF 70605-0



English4-18
Čeština..... 19-34
Slovenčina 35-50
Magyarul 51-66
Polski 67-82

CORDLESS LEAF BLOWER

USER'S MANUAL



Thank you for purchasing this CORDLESS LEAF BLOWER . Before you start using it, please carefully read this user's manual and save it for possible future use.

TABLE OF CONTENTS

| | |
|--|----|
| 1. GENERAL POWER TOOL SAFETY WARNINGS..... | 5 |
| 2. LEAF BLOWER SAFETY WARNINGS..... | 8 |
| 3. SYMBOLS | 9 |
| 4. LEAF BLOWER DESCRIPTION..... | 10 |
| 5. TECHNICAL DATA | 10 |
| 6. OPERATION | 11 |
| 7. CLEANING AND MAINTENANCE..... | 14 |
| 8. STORING AND TRANSPORT | 14 |
| 9. TROUBLE SHOOTING..... | 15 |
| 10. DISPOSAL | 16 |
| 11. DECLARATION OF CONFORMITY | 17 |

1. GENERAL POWER TOOL SAFETY WARNINGS

- ✿ This device is suited solely for the blowing of light and dry materials such as leaves, garden waste, grass, small branches, and small pieces of paper.
- ✿ This appliance is intended for use on private properties only.
- ✿ This product is not intended for commercial use. Generally acknowledged accident prevention regulations and enclosed safety Instructions must be observed.
- ✿ Only perform work described in these Instructions for use. Any other use is improper. The manufacturer will not assume responsibility for damage resulting from such use.

⚠ WARNING!

Read and understand all instructions. Failure to follow the warnings and instructions may result in electric shock, fire and/or serious injury. Save all warnings and instructions for future reference. The term „power tool“ in the warnings refers to your mains-operated (corded) power tool or battery-operated (cordless) power tool.

Work area safety

- a. Keep work area clean and well lit. Cluttered or dark areas invite accidents.
- b. Do not operate power tools in explosive atmospheres, such as in the presence of flammable liquids, gases or dust. Power tools create sparks which may ignite the dust or fumes.
- c. Keep children and bystanders away while operating a power tool. Distractions can cause you to lose control.

Electrical safety

- a. Power tool plugs must match the outlet. Never modify the plug in any way. Do not use any adapter plugs with earthed (grounded) power tools.
Unmodified plugs and matching outlets will reduce risk of electric shock.
- b. Avoid body contact with earthed or grounded surfaces, such as pipes, radiators, ranges and refrigerators.
There is an increased risk of electric shock if your body is earthed or grounded.
- c. Do not expose power tools to rain or wet conditions.
Water entering a power tool will increase the risk of electric shock.
- d. Do not abuse the cord. Never use the cord for carrying, pulling or unplugging the power tool. Keep cord away from heat, oil, sharp edges or moving parts. Damaged or entangled cords increase the risk of electric shock.
- e. When operating a power tool outdoors, use an extension cord suitable for outdoor use. Use of a cord suitable for outdoor use reduces the risk of electric shock.

Personal safety

- a. Stay alert, watch what you are doing and use common sense when operating a power tool. Do not use a power tool while you are tired or under the influence of drugs, alcohol or medication. A moment of inattention while operating power tools may result in serious personal injury.
- b. Use personal protective equipment. Always wear eye protection. Protective equipment such as dust mask, non-skid safety shoes, hard hat, or hearing protection used for appropriate conditions will reduce personal injuries.
- c. Prevent unintentional starting. Ensure the switch is in the off-position before connecting to power source and/or battery pack, picking up or carrying the tool. Carrying power tools with your finger on the switch or engaging power tools that have the switch on invites accidents.

- d. Remove any adjusting key or wrench before turning the power tool on. A wrench or a key left attached to a rotating part of the power tool may result in personal injury.
- e. Do not overreach. Keep proper footing and balance at all times. This enables better control of the power tool in unexpected situations.
- f. Dress properly. Do not wear loose clothing or jewellery. Keep your hair, clothing and gloves away from moving parts. Loose clothes, jewellery or long hair can be caught in moving parts.
- g. If devices are provided for the connection of dust extraction and collection facilities, ensure these are connected and properly used. Use of dust collection can reduce dust-related hazards.

Power tool use and care

- a. Do not force the power tool. Use the correct power tool for your application. The correct power tool will do the job better and safer at the rate for which it was designed.
- b. Do not use the power tool if the switch does not turn it on and off. Any power tool that cannot be controlled with the switch is dangerous and must be repaired.
- c. Disconnect the plug from the power source and/or the battery pack from the power tool before making any adjustments, changing accessories, or storing power tools. Such preventive safety measures reduce the risk of starting the power tool accidentally.
- d. Store idle power tools out of the reach of children and do not allow persons unfamiliar with the power tool or these instructions to operate the power tool. Power tools are dangerous in the hands of untrained users.
- e. Maintain power tools. Check for misalignment or binding of moving parts, breakage of parts and any other condition that may affect the power tool's operation. If damaged, have the power tool repaired before use. Many accidents are caused by poorly maintained power tools.
- f. Keep cutting tools sharp and clean. Properly maintained cutting tools with sharp cutting edges are less likely to bind and are easier to control.
- g. Use the power tool, and accessories in accordance with these Instructions, taking into account the working conditions and the work to be performed. Use of the power tool for operations different from those intended could result in a hazardous situation.
- h. This appliance is not intended for use by persons (including children) with reduced physical, sensory or mental capabilities, or lack of experience and knowledge, unless they have been given supervision or instruction concerning use of the appliance by a person responsible for their safety.
- i. Children should be supervised to ensure that they do not play with the appliance.

Battery tool use and care

- a. Ensure the switch is in the off position before inserting battery pack. Inserting the battery pack into power tools that have the switch on invites accidents.
- b. Recharge only with the charger specified by the manufacturer. A charger that is suitable for one type of battery pack may create a risk of fire when used with another battery pack.
- c. Use power tools only with specifically designated battery packs. Use of any other battery packs may create a risk of injury and fire.
- d. When battery pack is not in use, keep it away from other metal objects like paper clips, coins, keys, nails, screws, or other small metal objects that can make a connection from one terminal to another. Shorting the battery terminals together may cause burns or a fire.
- e. Under abusive conditions, liquid may be ejected from the battery; avoid contact. If contact accidentally occurs, flush with water. If liquid contacts eyes, additionally seek medical help. Liquid ejected from the battery may cause irritation or burns.

Service

- a. Have your power tool serviced by a qualified repair person using only identical replacement parts. This will ensure that the safety of the power tool is maintained.

ADDITIONAL SAFETY INSTRUCTIONS

Wear ear protectors.

Exposure to noise can cause hearing loss.

Loss of control can cause personal injury.

- ✿ If possible, always use clamps or a vice to hold your work piece.
- ✿ Always switch off before you put the tool down.
- ✿ Ensure that the lighting is adequate.
- ✿ Do not put pressure on the tool, such that it slows the motor down.
- ✿ Keep the area free of tripping hazards.
- ✿ Do not let anyone under 18 years operate this tool.
- ✿ Only use accessories in good condition.
- ✿ Do not touch the blade after operation. It will be very hot.
- ✿ Keep your hands away from under the workpiece.
- ✿ Never use your hands to remove sawdust, chips or waste close by the blade.
- ✿ Rags, cloths, cord, string and the like should never be left around the work area.
- ✿ Support the work properly.
- ✿ If you are interrupted when operating the tool, complete the process and switch off before looking up.
- ✿ Periodically check that all nuts, bolts and other fixings are properly tightened.
- ✿ When using the tool, use safety equipment including safety glasses or shield, ear defenders, and protective clothing including safety gloves.
- ✿ Wear a dust mask if the cutting or sanding operation creates dust.

If in doubt, do not plug in the tool. Using a power source with a voltage less than the nameplate rating is harmful to the motor.

The tool must be used only for its prescribed purpose. Any use other than those mentioned in this Manual will be considered a case of misuse. The user and not the manufacturer shall be liable for any damage or injury resulting from such cases of misuse.

To use this tool properly, you must observe the safety regulations, the assembly instructions and the operating instructions to be found in this Manual. All persons who use and service the machine have to be acquainted with this Manual and must be informed about its potential hazards.

Children and frail people must not use this tool. Children should be supervised at all times. If they are in the area in which the tool is being used, it is also imperative that you observe the accident prevention regulations in force in your area. The same applies for general rules of occupational health and safety.

The manufacturer shall not be liable for any changes made to the tool nor for any damage resulting from such changes. Even when the tool is used as prescribed it is not possible to eliminate all residual risk factors. The following hazards may arise in connection with the tool's construction and design:

Damage to the lungs if an effective dust mask is not worn.

Damage to hearing if effective ear defenders are not worn.

⚠ WARNING!

To reduce the risk of Injury, the user must read and understand the operator's manual before using this product.

SAVE THIS MANUAL FOR FUTURE REFERENCE

2. LEAF BLOWER SAFETY WARNINGS

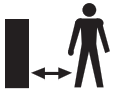
- ✿ When working with the device, always maintain a safe distance and natural body position.
- ✿ Always hold the device firmly in hand.
- ✿ Before starting to work, check the working area for animals and objects. Remove all objects that may be slung away or become jammed in the cutting tool.
- ✿ No other persons or animals may be present within an area of 5 m around the working area, as they may otherwise be injured by objects being slung away.
- ✿ Only work in good light and vision conditions.
- ✿ Do not work above head height! Do not lean forward or back!
- ✿ The operator must wear tightly fitting clothing. Avoid wearing loose clothing. Wear sturdy shoes and long trousers.
- ✿ Take care when walking backwards. Danger of stumbling!
- ✿ Never work in the rain.
- ✿ Blowing of heavy materials such as metal, stones, branches, fir cones or broken glass is expressly forbidden.
- ✿ When working with the device, ensure that there is sufficient lighting.
- ✿ Always wear the required personal protective equipment.
- ✿ Be careful of the dust you have raised and flying objects. Especially dangerous is the rebound effect on walls or walls of houses.
- ✿ Do not direct the device at people or animals when blowing.
- ✿ Before starting to blow, loosen foreign bodies with a rake or broom.
- ✿ The machine may only be operated during sensible hours - not too early in the morning or too late in the evening, as it may disturb other people.
- ✿ The times listed by the local authorities must be adhered to.
- ✿ The whole blower nozzle piece must be used so that the airstream can work close to the ground.
- ✿ Heed children, pets, open windows, and blow the foreign bodies safely away.

3. SYMBOLS



Danger of injury!

Beware of hurled-away objects.
Keep bystanders away.



Keep other persons in distance!

WARNING! When operating the device, take care that no other persons are nearby (safe distance: 5m). This is particularly valid for children and animals.



Read the Instruction Manual attentively prior to use.



Protect the tool from the damp and never expose it to rain!



Guaranteed sound power level L_{wA} 96 dB (A)



Use ears protective equipment



Use eyes protective equipment

4. LEAF BLOWER DESCRIPTION

1. Handle
2. Variable speed dial
3. Blower tube release button
4. Blower tube
5. Hang hole
6. Scraper
7. Battery pack (not included)
8. Display for remaining capacity
9. Push button for capacity display
10. Battery pack release button
11. Control lights
12. Battery charger (not included)

5. TECHNICAL DATA

| MODEL | FZF 70605-0 |
|---|------------------------------|
| Rated voltage | 20 V |
| RPM | 0-17000 min ⁻¹ |
| Air speed max. | 38 m/s |
| Suction power (max. air flow) | 350 CFM |
| Max. operating duration with a full battery | 15 min (2 Ah), 30 min (4 Ah) |
| Weight (without battery) | 1.9 kg |

Accessories

| Item number | Accessory |
|--------------------|-------------------|
| FDUZ 79020 | Battery pack 2 Ah |
| FDUZ 79040 | Battery pack 4 Ah |
| FDUZ 79100 | Fast charger |
| FDUZ 79110 | Fast dual charger |

6. OPERATION

1. Charging the battery pack

⚠ CAUTION!

Risk of injury! Comply with all safety instructions when handling rechargeable devices.

⚠ NOTICE!

Risk of damage to the unit! Do not allow the battery pack to deep discharge.

⚠ NOTICE!

Risk of damage to the unit! Do not press the On/Off switch after the device has deactivated automatically.

📖 Note: The Li-Ion battery pack can be charged at any time without affecting the lifetime of the unit. Interrupting the charging process will not damage the battery pack.

📖 Note: If the battery is fully loaded, the charger automatically switches over to the maintenance charge function. The battery can thus remain in the charger permanently.

The battery pack must be charged prior to the first start-up. (charging time: around 60 minutes)

✿ Press in the locking button (10) and remove the battery from the device. (See Fig. A&B)

Fig. A

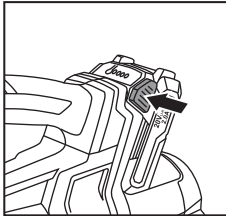
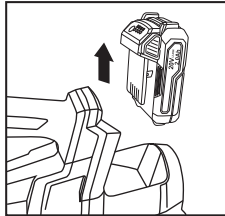
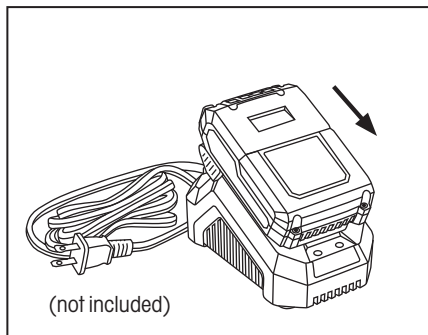


Fig. B



- ✿ Insert the battery pack into the charger. (See Fig. C)

Fig. C



- ✿ Plug the charger into the power supply.
The charging status is displayed by the control lights (11).
- ✿ Slot the battery pack into the device and make sure it clicks into place correctly. (See Fig. D&E)

Fig. D

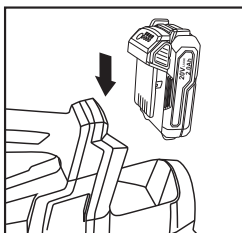
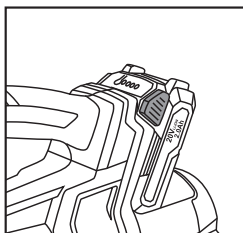


Fig. E



Checking the remaining capacity of the battery

- ✿ Press the battery capacity indicator switch button (9).
- ✿ The remaining capacity of the battery is displayed by the 4LED control lights (8). Battery capacity Indicator as below:

All 4 LEDs are lit:

The battery is fully charged.

3 or 2 on LED(s) are lit:

The battery has an adequate remaining charge.

1 LED blinks:

The battery is empty, recharge the battery.

All LEDs blink:

The battery pack is too hot (e.g. due to direct sunshine or prolonged use) or too cold (below 32°F/0°C). Do not use or charge the battery pack, make sure the battery temperature to between 40°F (4°C) and 104°F (40°C).

2. Check before use!

⚠ WARNING!

Risk of injury! The device must only be put into operation if no faults are found. If any part of the device is defective. It must be replaced before the next use.

⚠ WARNING!

Risk of injury! Before starting work check the area and remove all objects which may be kicked up by the unit.

Check the safety equipment and the safe condition of the device.

- ✿ Check all parts to make sure they fit tightly.
- ✿ Check whether there are visible defects: broken parts, cracks, etc.

3. Connect the blow tube to the air inlet

Line up the slot(A) on the inside of the blow tube(4) with the tap(B) of the housing opening as shown in below picture, make sure the installation is firm. (See Fig. F)

Fig. F

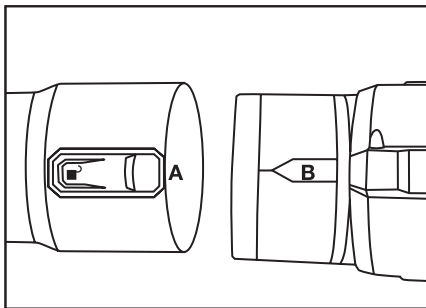
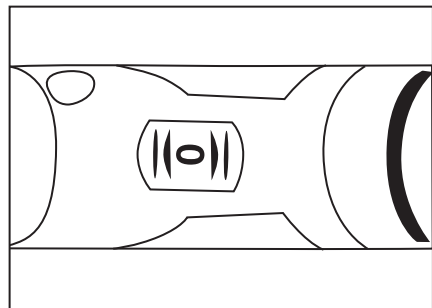


Fig. G



4. Switching on and off

- ✿ To switch the machine on, turn the variable speed dial (2) to (1/2/3/4/MAX) to turn on and to increase air speed. (See Fig. G)
- ✿ To switch the machine off, turn the variable speed dial to (0).

5. Proper position

Hold the unit and the right hand at approximately hip level on the operating handle, balanced in a comfortable way.

 **Note:** Work with leaf blowers/vacuums may not be performed during normal quiet hours.

7. CLEANING AND MAINTENANCE

⚠ DANGER!

Risk of injury! Before any maintenance or cleaning work:

- ✿ Remove the battery.
- ✿ Let the device cool down.

Dismantling the device

- ✿ Press the release button (3) and remove the blower tube (4) from the device.

Cleaning the machine

- ✿ Remove any coarse dirt.
- ✿ Wipe the appliance with a slightly damp cloth.

8. STORING AND TRANSPORT

Storing

⚠ DANGER!

Danger of injury! Make sure no unauthorised persons can gain access to the appliance!

- ✿ Store the appliance where it is dry and well ventilated.

Transport

- ✿ Secure the appliance against slipping.
- ✿ If shipping, use the original packaging wherever possible.

9. TROUBLE SHOOTING

⚠ DANGER!

Risk of injury! Improperly performed repairs can lead to the device not functioning safely. This endangers yourself and your environment.

Malfunctions are often caused by minor faults. You can easily remedy most of these yourself. Please consult the following table before contacting the vendor. You will save yourself a lot of trouble and possibly money too.

| Fault/malfunction | Cause | Remedial measure |
|--------------------------|--|-------------------------------------|
| Device does not work. | Battery not slotted in correctly? | Slot battery into place. |
| | Battery pack discharged? | Charging the battery pack section. |
| | Battery pack defective? Is the device defective? | Contact your nearest service point. |

If you can't fix the fault yourself, contact your nearest service point. Please be aware that any improper repairs will also invalidate the warranty and additional costs may be incurred.

10. DISPOSAL



The machine, rechargeable batteries, accessories and packaging should be sorted for environmental-friendly recycling.

Do not dispose of power tools and batteries/rechargeable batteries into household waste!

Only for EC countries:



According to the European Guideline 2012/19/EU, power tools that are no longer usable, and according to the European Guideline 2006/66/EC, defective or used battery packs/batteries, must be collected separately and disposed of in an environmentally correct manner.

INSTRUCTIONS AND INFORMATION ON DISPOSING OF USED PACKAGING MATERIALS

Put any used package material to the place determined by the municipality for waste disposal.

DISPOSAL OF USED ELECTRIC AND ELECTRONIC EQUIPMENT



This symbol on products or accompanying documents means that used electric or electronic products must not be put to ordinary municipal waste. Hand over such products to determined collection points for proper disposal, restoration and recycling. Alternatively, in some countries of the European Union or other European countries you can return your products to your local dealer when you buy an equivalent new product. By dutiful disposal of this product you can preserve precious natural resources and you help prevent any potential adverse effects on the environment and human health which could be the results of wrong waste disposal. Ask your local authority or the nearest collection point for additional details. In case of improper disposal of this waste kind penalties can be imposed in accordance with national regulations.

For companies in the European Union countries

Should you want to dispose of electric and electronic devices, ask your dealer or vendor for necessary information.

Disposal in other countries outside the European Union

Should you want to dispose of this product, ask your local authorities or your dealer for necessary information about disposal method.



This product fulfils all basic requirements of the EU directives that apply to it.

Text, design and technical specifications can change without prior notice and we reserve the right for their change.

User manual in the original language.

11. DECLARATION OF CONFORMITY

FAST®

FAST ČR, a.s.
Černokostecká 1621, 251 01 Říčany, Czech Republic
tel.: +420 525 204 111, fax: +420 525 204 110

EU Declaration of Conformity

Product/ brand: Cordless Leaf Blower / **FIELDMANN**

Type/ model: **FZF 70605-0** as factory model D07102100
DC 20V (battery powered), Class III, IPX0
 $L_{PA} = 81\text{dB(A)}$, $L_{WA} = 96\text{dB(A)}$

Manufacturer: FAST ČR, a.s.
Černokostecká 2111, 100 00 Praha 10, Czech Republic
VAT no: CZ26726548

The product is inline with directives and regulations listed below:

Directive MD 2006/42/EC
Directive EMC 2014/30/EU
Directive NEEC 2000/14/EC
Directive RoHS 2011/65/EU

and norms:

EN 60335-1:2012+A11+A13
EN 50636-2-100:2014
EN 55014-1:2017
EN 55014-2:2015



Place of issuance: Prague

Name: Ing. Zdeněk Pech

Date of issuance: 22. 7. 2020

Signature: Chairman of the Board

FAST® FAST ČR, a.s. ®
Černokostecká 1621, 251 01 Říčany
IČO: 26726548 tel.: +420/ 323 204 111
DIČ: CZ26726548 fax: +420/ 323 204 110

IČO: 26 72 65 48, DIČ: CZ-26 72 65 48

Bankovní spojení: Komerční banka Praha 1, č.ú. 89309011/0100, Česká spořitelna Praha 4, č.ú. 2375682/0800, ČSOB Praha 1, č.ú. 8010-0116233383/0300

